



# FL-10

PRELIMINARY

## Multispectral OctoLine fingerprint sensor

The Alphatronics FL-10 is a unique high resolution multispectral fingerprint sensor that collects additional information from below the surface of the skin. This revolutionary Lumidigm technology makes the FL-10 very reliable and secure in any environment.



### Multispectral Imaging

- Uses multiple wave lengths to capture and compare an image of the external fingerprint and the identical "internal fingerprint" made up of tiny blood vessels about 2 mm under the surface of the skin.
- Tolerates wet, sweaty, dry, dirty, aged or damaged prints and marginal contact
- High throughput of max. 2 sec

	Dry	Wet	Dirty	Elderly	High ambient light
FL-10					
Other			no image		no image

### Reliable under extreme environmental conditions

Water, ambient light and dryness will not prevent the FL-10 from working. The FL-10 is not impaired by outdoor conditions and can be used in high-security outdoor applications.

### Spoof detection

As the Alphatronics FL-10 scans and compares the surface and sub-surface fingerprint it can detect living flesh from non-living flesh or other organic or synthetic materials.

### Alphatronics OctoLine

Alphatronics OctoLine is an impressive array of modular access control components: contactless card readers (proximity and mifare), barcode scanners, multifunctional intercom systems, selection buttons, displays and touch screens, ticket printers... All OctoLine modules are made out of durable and vandal proof, high-quality anodized and brushed aluminum, resistant to extreme weather conditions. Alphatronics OctoLine stands for reliable components designed for intensive outdoor use.

**Easy integration**

Thanks to the Alphatronics OctoLine driver software, any system integrator can easily adopt the OctoLine modules to be used in their applications.

**Management over network**

The proprietary Alphatronics ATium® software allows the customer to manage the OctoLine modules over IP. Configuration, control and diagnose can be done from 1 ore more locations.



## Technical specifications

**Power supply**  
12 VDC

**Image resolution**  
500 dpi

**Plate size**  
1,8 x 2,8 cm ellipse

**Timing (typical)**  
Placement to image: 1.0 sec  
Placement to template: 2.0 sec  
Placement to score: 2.0 sec.

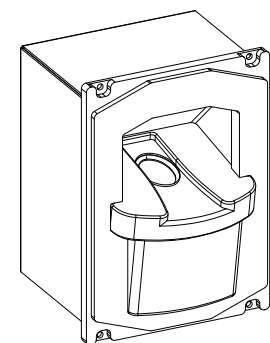
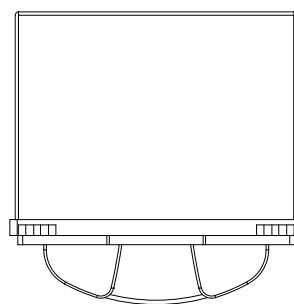
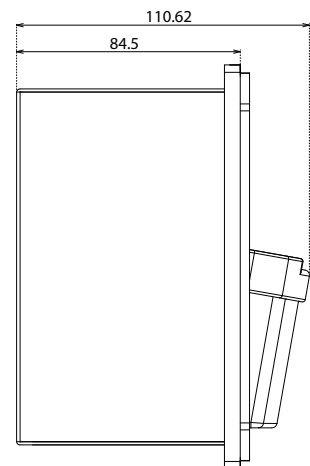
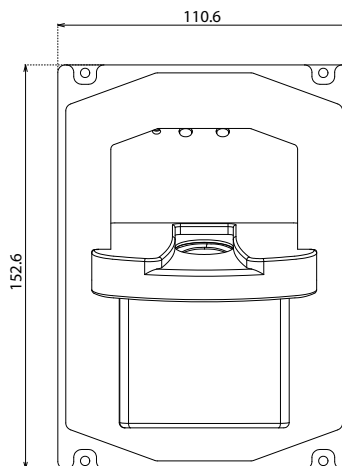
**Outputs**  
Image: ANSI 381 compliant  
Template: ANSI 378 compliant, Minex certified  
Score: Requires ANSI 378 template input

**Interface**  
RS485, TCP IP; WIEGAND

**Operating temperature**  
-20 - 70°C (-4 - 158°F)

**Operating humidity**  
0-100% if built in according to OctoLine standards

**Waterproof**  
IP54



**Alphatronics nv**

Brandstraat 8a • B-9160 Lokeren • België  
Tel. +32 9 253 54 49 • +32 9 253 53 68

info@alphatronics.be

The information and data given are typical for the equipment described. However any individual item is subject to change without any notice.