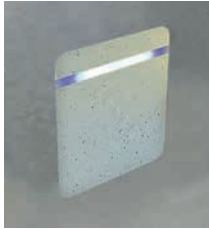


PROXAT-50

Contactless card reader for cards type Mifare UID or EM-4xxx

- RFID technology is a highly reliable means for electronic detection and monitoring
- Suitable for indoor and outdoor use
- Possibility of integration with Software Development Kit

Built-in



Mounting



Includes 3 meter flexible cable, with tinned wire ends

Technical specifications		
Card types	Mifare UID (4, 7 & 10 byte ID)	EM-4100/4200
Power in	12-24 VDC +/-10%	
Maximum power supply	12 VDC: 145mA - 24 VDC: 60mA	
Main network	RS 485	
Connection	3 meter flexible cable with tinned wire ends	
Reading distance	- Mifare: 40 mm, by using the flush mount version, the mounting frame affects the read range f.e. aluminum mounting frame of 2 mm -> reading distance: 34mm - EM: 40 mm	
Indications	- Beeper - RGB LEDs (7 colors to indicate different statuses)	
Inputs	3 pieces, where the functionality is dependent on the firmware (See table below)	
Relays	1 relay (max. 2A, 30Vdc or 0.5A, 125Vac (resistive load) at 40°C) -> Consider voltage losses over the cable (3 meter cable = 0.253ohm)	
IP-protection	66	
Weight	335 gram	
Operating temperature	-10°C tot +60°C gedurende 8 uur	
Options	Mounting bracket and surface mount box	
Warranty	2 years	

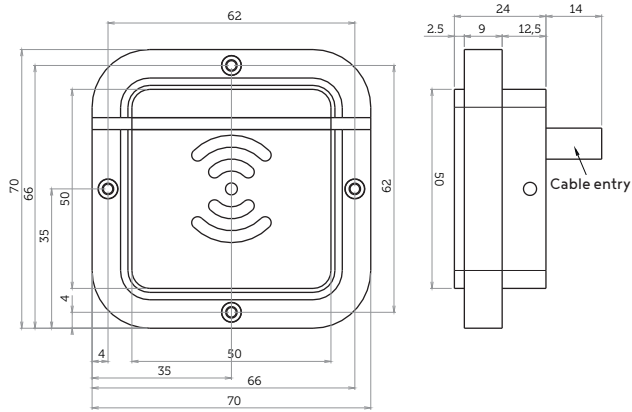
	1-050203-0005-001-000-00 · 1-050203-0006-001-000-00 1-050203-0007-001-000-00 · 1-050203-0008-001-000-00	1-050203-0005-002-000-00 · 1-050203-0006-002-000-00 1-050203-0007-002-000-00 · 1-050203-0008-002-000-00
Inputs	IND1: card simulation (For example, electronic passageway in the other direction.) IND2 - 3: hardware adresssing (adress 1 to 4)	IND1 - 3: digital inputs free for deployment
Outputs	Potential free contacts, common, normally open and normally closed. The relay will switch to a valid entry	Potential free contacts, common, normally open and normally closed. The relay is released for deployment

Mifare UID (4, 7 & 10 byte ID)
MFOICU1 - MIFARE Ultralight contactless single-ticket IC
MFOICU2 - MIFARE Ultralight C - contactless ticket IC
MFOULx1 - MIFARE Ultralight EV1 - contactless ticket IC
MF1S50yyX/V1 - MIFARE Classic 1K - Mainstream contactless smart card IC for fast and easy solution development
MF1S70yyX/V1 - MIFARE Classic EV1 4K - Mainstream contactless smart card IC for fast and easy solution development
MIFARE DESFire EV1 2K - MIFARE DESFire EV1 contactless multi-application IC
MIFARE DESFire EV1 4K - MIFARE DESFire EV1 contactless multi-application IC
MIFARE DESFire EV1 8K - MIFARE DESFire EV1 contactless multi-application IC

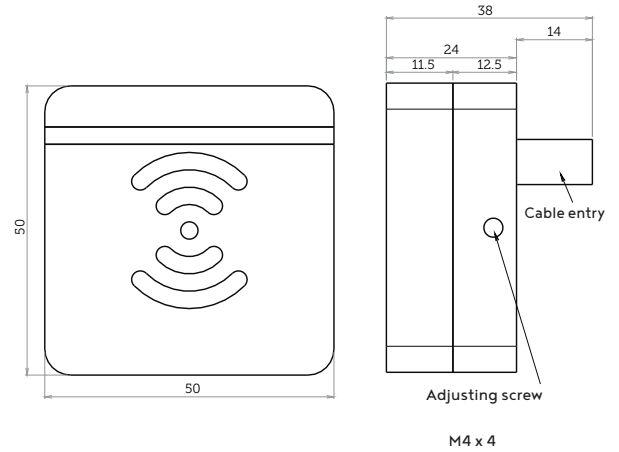


Dimensions

Built-in

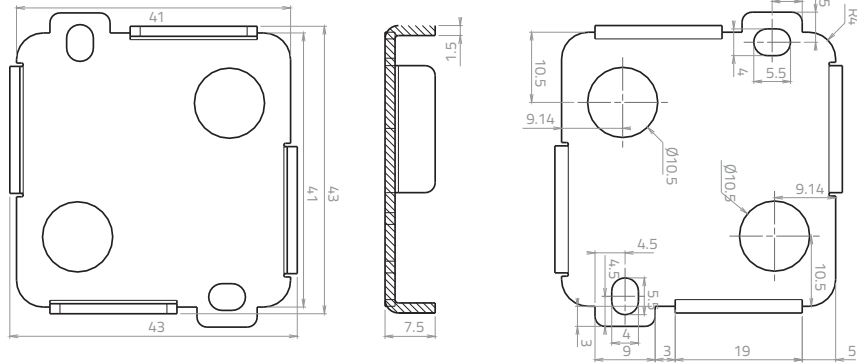
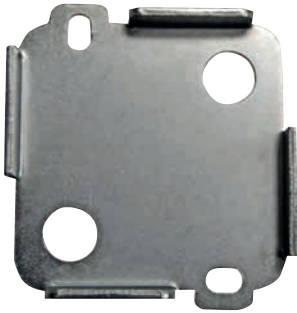


Mounting

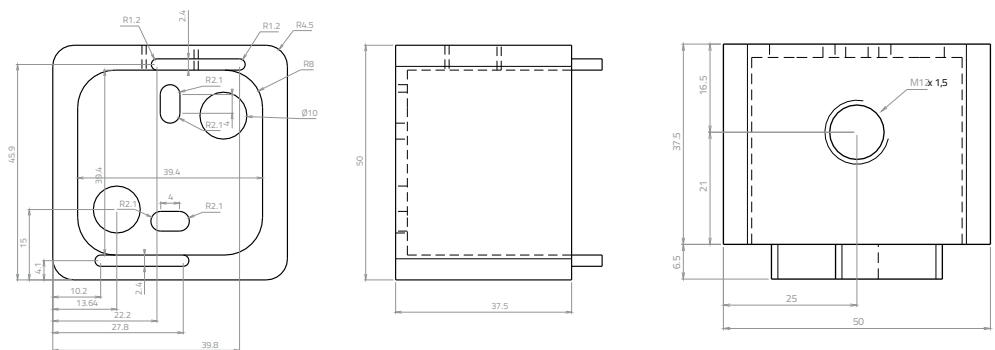


To order in combination with a surface mounting version:

- Mounting bracket with dowels and screws.



Surface mounted box



Article numbers	Mifare (13.56 MHz)	EM (125kHz)
Surface mount version	1-050203-0006-001-000-00	1-050203-0005-001-000-00
Flush mount version	1-050203-0008-001-000-00	1-050203-0007-001-000-00
Surface mount version	1-050203-0006-002-000-00	1-050203-0005-002-000-00
Flush mount version	1-050203-0008-002-000-00	1-050203-0007-002-000-00
Mounting bracket	1-070103-0001-000-000-00	
Surface mount box	1-070103-0002-000-010-00	