

ITSV-5

HD IP Video Phone with 8" Screen

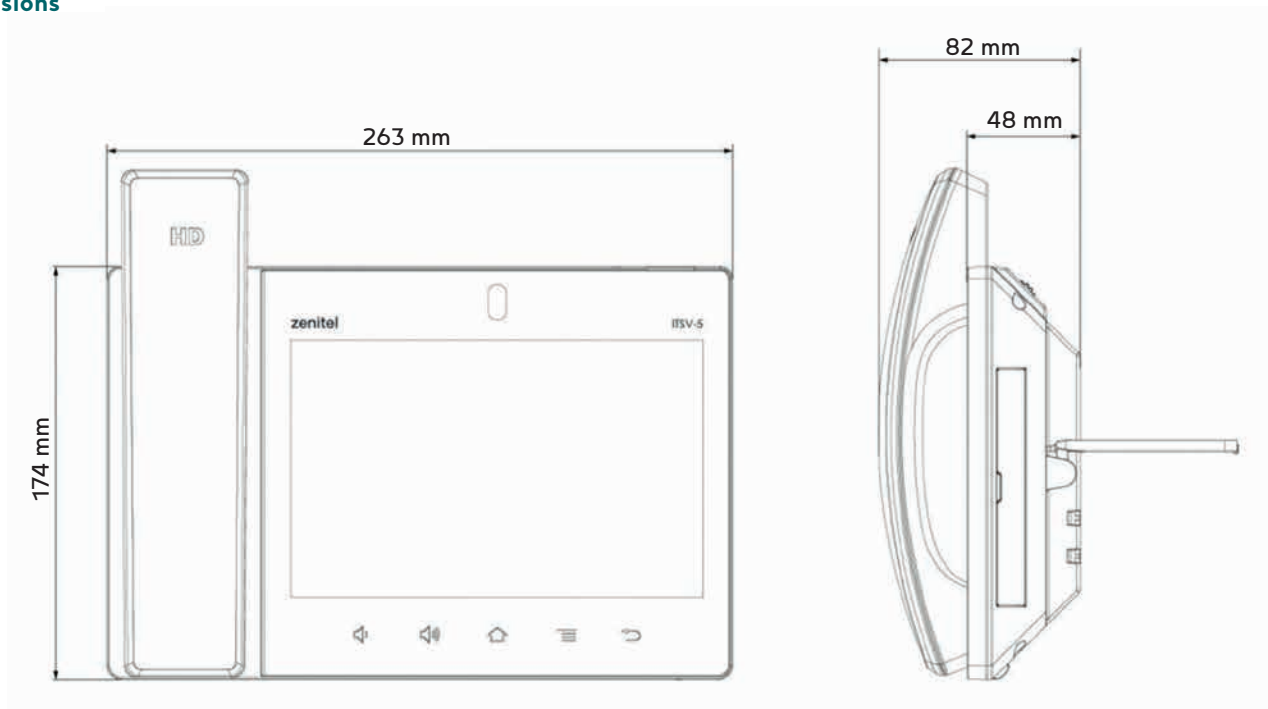
The ITSV-5 is a powerful IP video phone featuring Android 11, an 8" touch screen, real-time HD video telephony, built-in WiFi, Bluetooth, and more. The ITSV-5 delivers advanced SIP telephony features and out-of-the-box integration with our IC-EDGE and ICX-AlphaCom IP Intercom Platforms.



- 4-core 2.0GHz ARM Cortex A55 processor with 4GB RAM and 16GB eMMC Flash
- Runs on Android 11 operating system
- 8" (1200x800) capacitive 10-point touch screen HD IPS LCD
- Built-in Bluetooth 5.0 for syncing with mobile devices and connecting Bluetooth headsets
- Integrated dual-band WiFi 6 (2.4GHz and 5GHz)
- Built-in PoE/PoE+ to power the device and give it a network connection
- Built-in 2 mega-pixel CMOS tiltable camera with privacy shutter, 1080p 30fps
- 12-way audio conferencing and 3-way video conferencing capability
- Dual-mic HD speakerphone with noise reduction, advanced echo cancellation, and excellent double-talk performance
- Dual-switched auto-sensing 10/100/1000Mbps network ports
- Supports up to 16 SIP accounts



Dimensions



Technical specifications	
Graphic Display	8" (1280x800) capacitive (10 points) touch screen IPS LCD
Camera	Tilttable 2 mega-pixel CMOS camera with privacy shutter, 1080P@30fps
Auxiliary Ports	RJ9 headset jack (allowing EHS with Plantronics headsets), 3.5mm stereo headset with microphone, USB 3.0 port, Type-C, HDMI-out, HDMI-in
Feature keys	2 function touch keys VOLUME +/-, 3 dedicated Android touch keys HOME, MENU, and BACK
Video Codec	H.263, H.264 BP/MP/HP
Video resolution	Up to 1080p
Video frame rate	Up to 30 fps
Operating temperature range	0°C to +40°C
Storage temperature range	-10°C to +60°C
Relative humidity	10% - 90% non-condensing
Power options	Power over Ethernet (PoE & PoE+) or power adapter.
Power over Ethernet	802.3af Class 3, 802.3at Class 4
Power adapter	Input: 100-240VAC 50-60Hz; Output 12VDC 1.5A
Network Interface	2 x RJ45 (Ethernet) 10/100/1000 Mbps with integrated PoE/PoE+
Bluetooth	Integrated, Bluetooth 5 + EDR
Wi-Fi	Integrated, dual-band 2.4 & 5GHz with 802.11 a/b/g/n/ac/ax, 2T2R, Wi-Fi Display & AirPlay
Security	User and administrator level passwords, MD5 and MD5-sess based authentication, 256-bit AES encrypted configuration file, TLS, SRTP, HTTPS, 802.1x media access control, Kensington Security Slot (Kensington Lock) support, anti-hacking secure boot
Protocols/Standards	SIP RFC3261, TCP/IP/UDP, RTP/RTCP, HTTP/HTTPS, ARP, ICMP, DNS (A record, SRV, NAPTR), DHCP, PPPoE, SSH, TFTP, NTP, STUN, LLDP-MED, LDAP, TR-069, 802.1x, TLS, SRTP, IPv6, OpenVPN®
Audio technology	Wide-band Opus, wide-band G.722, G.711µ/a, G.729A/B, G.726-32, iLBC, in-band and out-of-band DTMF (In audio, RFC2833, SIP INFO), VAD, CNG, AEC, PLC, AJB, AGC, ANS, Noise Shield 2.0
Language support	English, German, Italian, French, Spanish, Portuguese, Russian, Croatian, Chinese, Korean, Japanese, Czech.
Compliance	FCC: CFR 47 Part 15 Subpart B Class B; CFR 47 Part 15 Subpart C; CFR 47 Part 15 Subpart E; UL 60950-1 (power adapter); Part68 (HAC) CE: EN55032 Class B; EN55035; EN61000-3-2; EN61000-3-3; EN62368-1; EN300328; EN301893; EN301489-1; EN301489-17; EN62311; RoHS RCM: AS/ACIF S040 AS/CA S004; AS/NZS CISPR 32; AS/NZS 62368.1; AS/NZS 4268 HDMI Source and Sink, HAC
Dimensions (WxLxH)	263 x 174 x 48 (WxLxH) mm
Weight	1,08 kg
Article number	6-031202-0021-000