

# TCIS-3

## IP and SIP Intercom

---

- Designed according to Disability Act requirements
- Audio Presence - crystal clear audio
- Amazing sound pressure levels when needed with automatic volume adjustment
- Background noise cancellation
- Dirt, dust and water resistant - rating IP-66
- Built to last with robust die-cast aluminum frame - rating IK 08
- Supports wide set of IP and networking standards
- Black thermoplastic front plate with scrolling unit for calling to unlimited number of places
- PMOLED display
- Ideal for Building Security and Public Environments



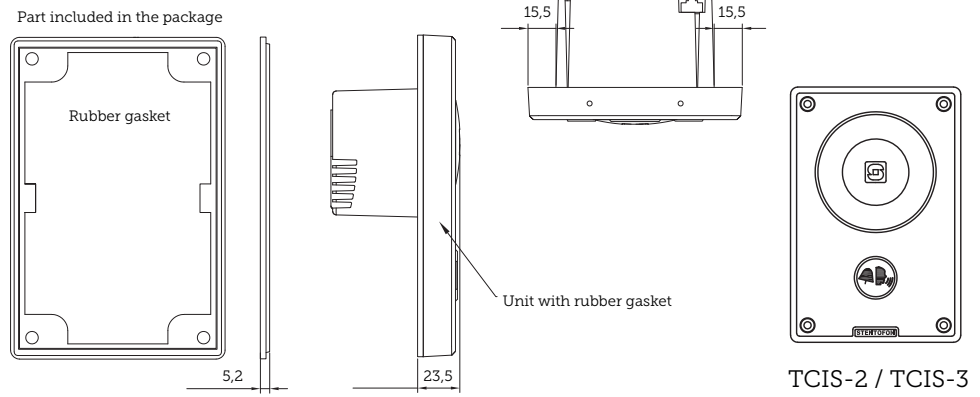
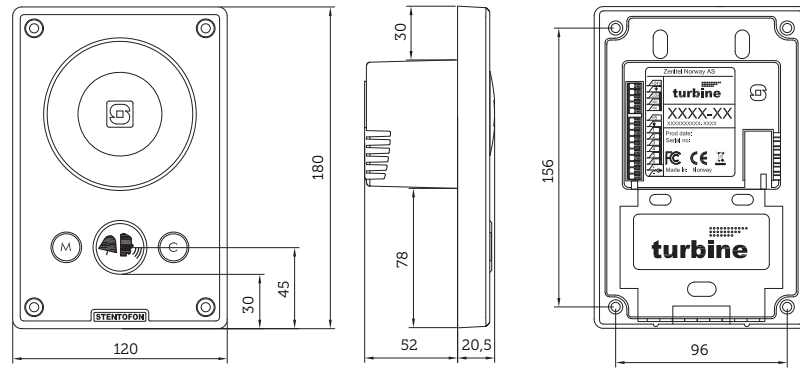
All IP stations in the Vingtor-Stentofon Turbine series utilize the latest technology to create unparalleled audio quality. Some of the many features include: HD voice quality, Open Duplex, Active Noise Cancellation, MEMS microphone, a 10W Class D amplifier and our unique speaker grille design. These features, in conjunction with Vingtor-Stentofon's 65+ years of experience with acoustic technology are only a few of the many factors that contribute to our superior audio quality.



Technical specifications	
Audio quality - percentage articulation loss of consonants (Alcons) - at 70 dB	< 5%*
Audio quality - total harmonic distortion + noise, without noise reduction (THD+N) - at 70 dB	< 2%*
SPL rated power at 1m in open duplex	95 dB*
SPL rated power at 1m in half duplex	105 dB*
SPL rated power at 1m in program distribution and Announcement	105 dB*
Noise cancelling - suppression of musical noise	Yes
Noise cancelling - suppression of static noise	Yes
Noise cancelling - suppression of rapidly changing noise	Yes
Codecs	G.711, G.722, G.729
Frequency range, G.722 Codec	200 Hz - 7000 Hz
Audio technology	<ul style="list-style-type: none"> <li>- Modes: Full open duplex, switched open duplex</li> <li>- Adaptive jitter filter</li> <li>- Custom Ringing Tone</li> <li>- Audio Mixing - Conversation and Group Call</li> <li>- Sound Level Detection / scream alarm (only in AlphaCom)</li> <li>- Automatic gain control (microphone)</li> </ul>
Internal speaker amplifier	10 W class D
Microphone technology	Digital MEMS, omnidirectional microphone
<b>*Tested with Audio Precision SYS 2722 equipment</b>	
Ethernet connector	1 x RJ 45
All other connectors	Tool less, spring loaded, vibration proof terminals
General inputs and outputs	6 (configurable)
Outputs	12mA as LED drivers
Change-over relay (NO+NC+COM)	Max: 250 VAC/220 VDC, 2A, 60 W
Power options	PoE and or external power supply
PoE (power over Ethernet)	IEEE 802.3af standard, Class 0 (0.44W to 12.95 W)
External power supply	24 VDC (16 - 48 V)
Power consumption	Idle 1.8W, max 12W (depending on volume)
Audio line out / induction loop signal	600 Ohm
Button backlight	LED
Call indication	Icons/colors for hearing impaired
Door open indication	Icons/colors for hearing impaired
Display technology	PMOLED
Display contrast	20000:1
Viewing angle	160 deg
Display brightness	120 cd/m <sup>2</sup>
Display lifetime	100 000 hours (11.5 years)
Dimensions (HxWxD)	180 x 120 x 70 mm
Dimensions after flush mount	180 x 120 x 20 mm
Dimensions with on wall box	180 x 120 x 82 mm
Weight	0.8 kg
Faceplate material	3 mm stainless steel - AISI 403
Faceplate material	PMMA, colour printed on back side
Base / frame material	3 mm Aluminum alloy - A413.0, AISi12Se, anodized and painted
Electronics cover material	Polycarbonate (translucent)
Gasket material	Silicone rubber
Fastening bracket material	SECC Steel
Button material	3 mm Polycarbonate (transparent)
Button travel length	1.25 mm
Button activation force	350 gf
Button push-cycles before failure	300 000

<b>Loudspeaker poke protection, large diameter object</b>	3D cast aluminum speaker grille
<b>Loudspeaker poke protection, small diameter objects</b>	Stainless steel mesh, acoustically transparent
<b>Protocols</b>	IPv4 (with DiffServ), SIP, TCP, UDP, HTTPS, TFTP, RTP, SRTP, DHCP, SNMP, Vingtor-Stentofon CCoIP®, NTP
<b>LAN protocols</b>	Power over Ethernet (IEEE 802.3 a-f) Network Access Control (IEEE 802.1x)
<b>Management and operation</b>	HTTP/HTTPS (Web configuration) DHCP and static IP. Remote automatic software upgrade. Centralized monitoring.
<b>Advanced supervision functions</b>	E.g. network test, tone test, status reports
<b>SIP support</b>	RFC 3261 (SIP base standard) RFC 3515 (SIP refer) RFC 2976 (SIP info), SIP using TLS, RFC 5630 SIPS URI scheme
<b>DTMF support</b>	RFC 2833, 2976 (SIP info)
<b>IP rating</b>	IP-66, tested according to EN 60529 (applies when mounted in back box)
<b>IK rating</b>	IK 08, tested according to EN 62262
<b>Operating temperature range</b>	-40° to 70° C
<b>Storage temperature range</b>	-40° to 70° C
<b>Relative humidity</b>	< 95% not condensing
<b>Corrosion</b>	Salty mist, tested according to EN60945
<b>Vibration</b>	Tested according to EN60945
<b>UV-resistant</b>	YES
<b>EMC</b>	CE and FCC Part 15 EN 50121-3-2 Railway application EN 50121-4 Railway application UN Regulation 10, revision 4 + Corr.1 + Amend.1
<b>Compliances</b>	IEC/EN 60945 Marine Equipment IEC/EN 61000-6 Light and heavy industry IEC/EN 50155 Railway Application *IEC/EN 50486 Equipment for use in door-entry systems * With additional conformal coating Requires use of EN 50155 approved PoE switch
<b>Certifications</b>	UL 60950-1, cUL 60950-1, CB to IEC 60950-1
<b>IP adress information</b>	Speaks IP address after system boot
<b>Button lifetime</b>	> 1000 000 cycles
<b>Country of manufacture</b>	Poland
<b>Article number</b>	6-031208-0002-000

## Dimensions



## Accessories



Surface mount box  
6-031208-0004-000



Flush-mount box mini  
6-031208-0007-000



Bracket Double Depth Back Box  
6-031208-0008-000



Flush-mount box  
6-031208-0010-000



In combination