

TMIS-1

Mini intercom station, robust and designed for indoor use

- Typically used as a communication, information or emergency point and connects directly to the IP network.
- Makes it easy to deploy anywhere and at any distance.
- Background noise cancellation
- Built to last with robust die-cast aluminum frame
- Supports wide set of IP and networking standards
- White thermoplastic front plate with one button
- Ideal for Building Security and Public Environments



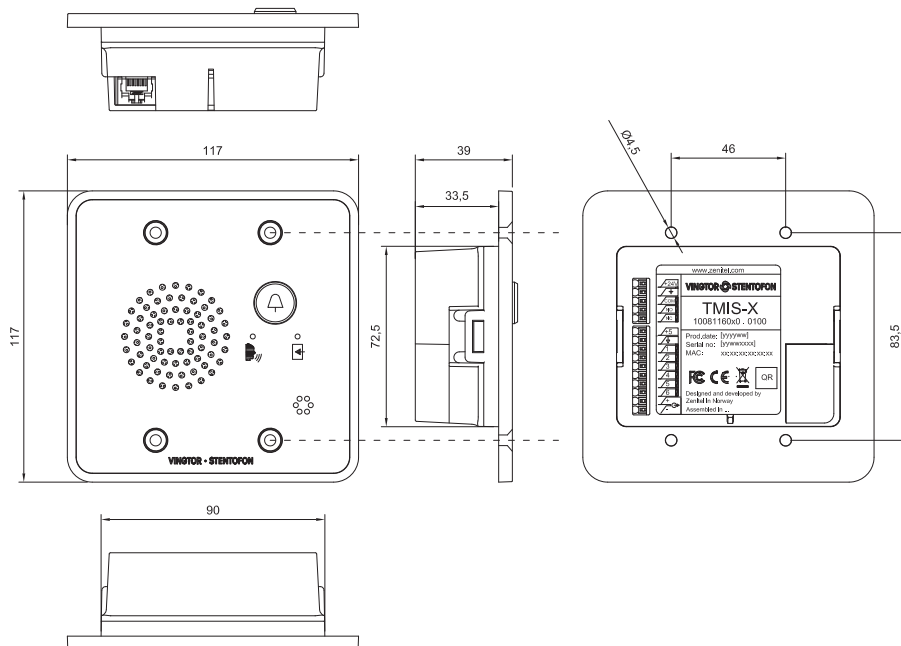
All IP stations in the Vingtor-Stentofon Turbine series utilize the latest technology to create unparalleled audio quality. Some of the many features include: HD voice quality, Open Duplex, Active Noise Cancellation, MEMS microphone, and a Class D amplifier. These features, in conjunction with our 65+ years of experience with acoustic technology are only a few of the many factors that contribute to the superior audio quality of our products.

Technical specifications	
SPL rated power at 1m	90 dB
Noise cancelling - suppression of musical noise	Yes
Noise cancelling - suppression of static noise	Yes
Codecs	G.711, G.722, G.729
Frequency range, G.722 Codec	200 Hz - 7000 Hz
Audio technology	- Modes: Full open duplex, switched open duplex, - Adaptive jitter filter - Custom Ringing Tone - Audio Mixing - Conversation and Group Call - Sound Level Detection / scream alarm - Automatic gain control (microphone)
Internal speaker amplifier	Class D
Microphone technology	Digital MEMS, omnidirectional microphone
Ethernet connector	1 x RJ 45
All other connectors	Tool less, spring loaded, vibration proof terminals
General inputs and outputs	6 (configurable)
Outputs	12mA as LED drivers
Change-over relay (NO+NC+COM)	Max: 250VAC/220VDC, 2A, 60W
Power options	PoE and or external power supply
PoE (power over Ethernet)	IEEE 802.3af standard, Class 0 (0.44W to 12.95 W)
External power supply	24 VDC (16 - 48 V)
Power consumption	2.8 W
Audio line out / induction loop signal	0 dBu / 600 Ohm
Button backlight	LED
Call indication	Icons/colors for hearing impaired



Dimensions (H x W x D)	117 x 117 x 39 mm
Dimensions after flush mount	117 x 117 x 5.5 mm
Weight	0.3 kg
Button material	3 mm Polycarbonate (transparent)
Faceplate material	3 mm PMMA, colour printed on backside
Base / frame material	3 mm Aluminum alloy - A413.O, AISi12S e, anodized and painted
Electronics cover material	Polycarbonate (translucent)
Loudspeaker poke protection, large diameter objects	Thermoplastic faceplate with machined grille
Loudspeaker poke protection, small diameter objects	Stainless steel mesh, acoustically transparent
Protocols	IPv4 (with DiffServ), SIP, TCP, UDP, HTTPS, TFTP, RTP, SRTP, DHCP, SNMP, Vingtor-Stentofon CCoIP®, NTP
LAN protocols	Power over Ethernet (IEEE 802.3 a-f) Network Access Control (IEEE 802.1x)
Management and operation	HTTP/HTTPS (Web configuration) DHCP and static IP. Remote automatic software upgrade. Centralized monitoring.
Advanced supervision functions	E.g. network test, tone test, status reports
SIP support	RFC 3261 (SIP base standard), RFC 3515 (SIP refer), RFC 2976 (SIP info)
DTMF support	RFC 2833, 2976 (SIP info)
IP rating	IP-42
UV-resistant	Yes
Operating temperature range	-25° to 70° C
Storage temperature range	-25° to 70° C
Relative humidity	< 95% not condensing
EMC	EN 55022 Class B
Certifications	UL 60950-1, cUL 60950-1, CB to IEC 60950-1
IP address information	Speaks IP address after system boot
Country of manufacture	Poland
Article number TMIS-1	6-031208-0013-000
Article number Accessory	6-031208-0014-000

Dimensions



Accessory

