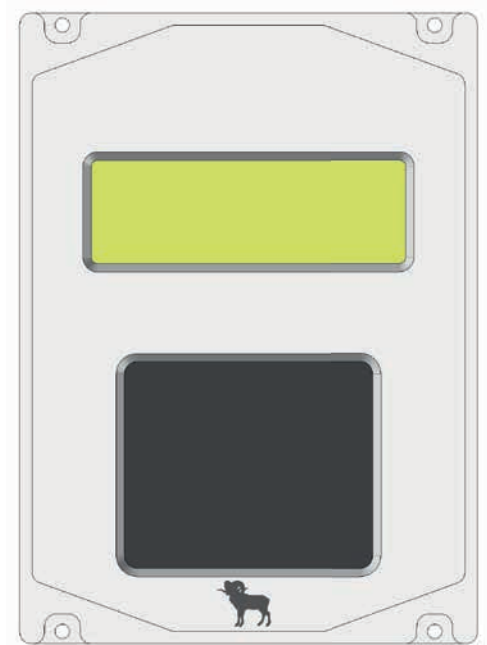
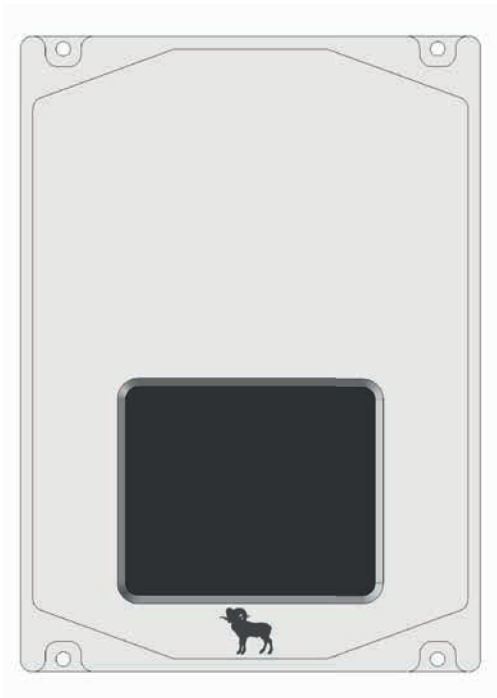



# UNIVERSAL BARCODE SCANNER

## 1D/2D barcode scanner with or without LCD display

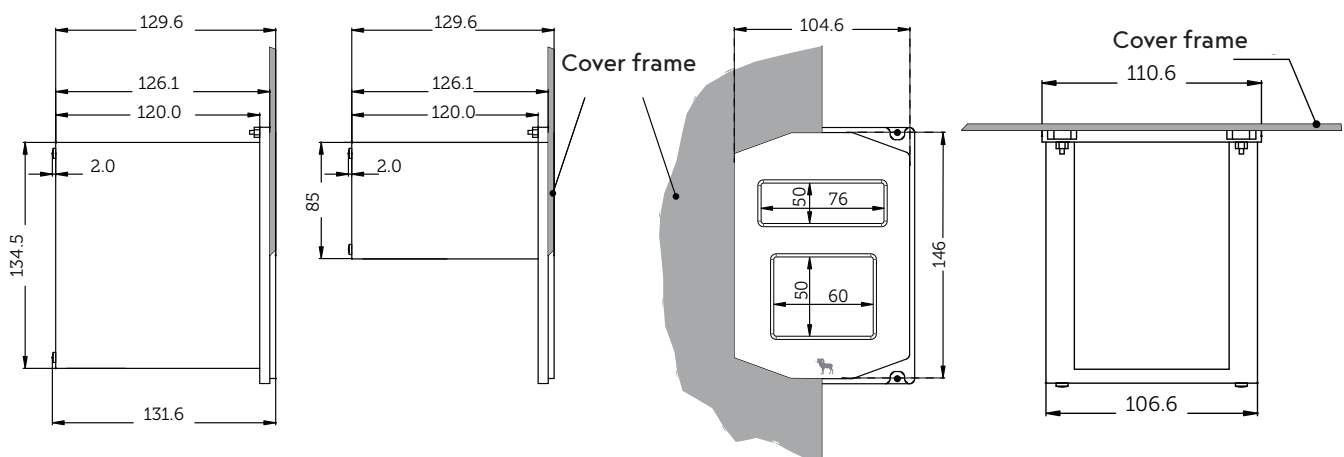
---

- 1D/2D barcode scanner
- Can scan barcodes from smartphones
- Equipped with an AT/RS485, AT/RS232 (type 1) connection or an RS232 and USB (type2) connection
- Suitable for both interior and exterior use
- Suitable for reading barcodes from an LCD (SmartPhone, tablet, ...)
- The infrared sensors can detect the barcodes at night (darkness) and during the day (daylight)
- OctoLine base plate made of anodized and brushed aluminum
- Simple assembly with OctoLine casing for building in and building out
- Possibility of integration with Software Development Kit



Technical specifications		
Electrical data	Type 1	Type 2
Power supply	12 - 24 VDC	5 VDC by USB or external for RS232
Electricity consumption	with display 120 mA rest 350 mA peak	350 mA peak by 5V or USB
Interface	AT/RS485, AT/RS232	RS232 and USB
Optical data		
Photo sensor	CMOS	
Resolution	752x480	
Precision	10 mil	
Depth of scan area from front	- 10 -> 50 mm normal barcode - 50 -> 150 mm big barcode	
Light Source	LED (622 nm - 628 nm)	
Light intensity	330 LUX (130nm)	
Environmental influences		
Temperature	- in use: -20 to +60°C - in storage: -40 to +70°C	
Humidity	- in use: 5% - 95% (non-condensing) - in storage: 5% - 95% (non-condensing)	
IP protection class	55	
Ambiant	0 - 100.000 LUX	
AP Hardware details	Type 1	Type 2
	<ul style="list-style-type: none"> <li>- Beeper piezo</li> <li>- Main network AT/RS485</li> <li>- Main network AT/RS232</li> <li>- 5 inputs (optically separated)</li> <li>- 1 relay outputs (NO and NC)</li> <li>- Display connector for LCD 4 x 20 with character height 5 mm (optional)</li> </ul>	<ul style="list-style-type: none"> <li>- Beeper piezo</li> <li>- Main network RS232 or USB</li> <li>- USB cable included</li> <li>- RS232 cable included</li> </ul>
Mounting	<p>1  1. with OctoLine finishing frame</p>	
Warranty	2 years	
Certificates	FCC Part15 Class B, CE EMC Class B	

## Dimensions



## Supported barcode symbologies

The barcodes with a \* are enabled by default, the others (and more) can be activated.

2D	1D	
- PDF417	- Code128*	- Codabar
- QR Code (Model 1/2)*	- EAN-13*	- Interleaved 2 of 5
- DataMatrix (ECC200, ECC000, 050, 080, 100,140)	- EAN-8	- ISBN
	- Code39*	- Code 93
	- UPC-A	- GS1 Databar
	- UPC-E	

## Reading range QR codes:

QR code size via Comfort Parking Config tool at correction level H	QR code size (W=H) (mm)	min. reading distance (mm)	max. reading distance (mm)
3	9,7	4	65
4	12,8	5	88
5	15,9	6	105
6	19	7	125
7	22,1	8	145
8	25,2	9	165
9	28,3	10	175
10	31,4	12	195
11	34,5	14	215
12	37,5	16	235
13	40,7	18	255
14	43,8	20	275

The above values serve as an indication and may deviate due to deviating print quality, and environmental influences of the barcode scanner.

## Article numbers

Scanner AT/RS232 or AT/RS485 (type 1)	1-050301-0014-000-000-00
Scanner USB - RS232 (type 2)	1-050301-0016-000-000-00
Scanner + display AT/RS232 or AT/RS485 (type 1)	1-050301-0015-000-000-00