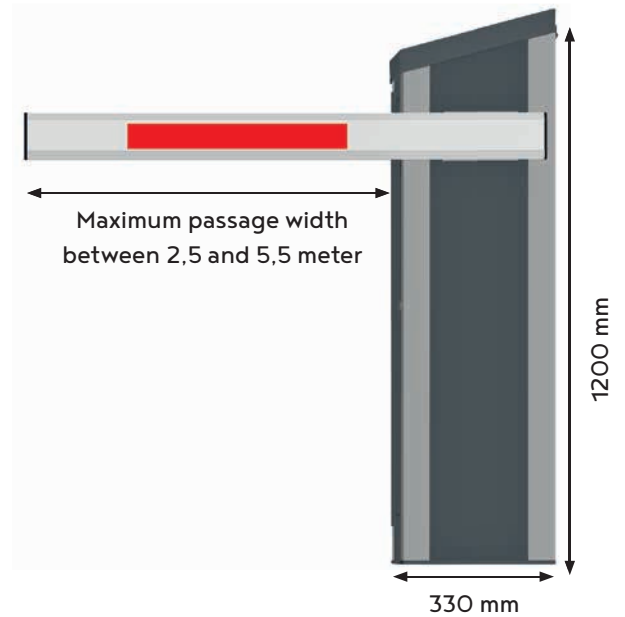


# SMART-ONE

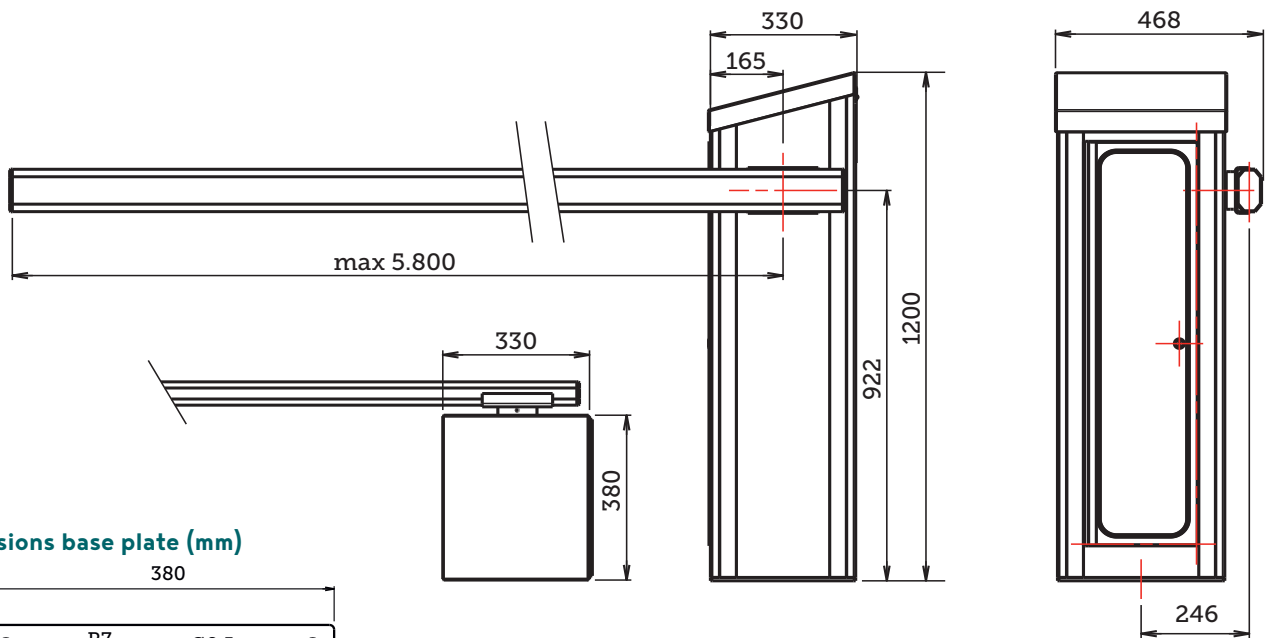
## Automatic barrier of 2.8 to 5.8 meters with intelligent IOT-controller

- High performance and low maintenance
- State of the art motor technology ensures very smooth and quiet operation
- Dynamic speed sequence
- Obstacle detection
- With a focus on recyclability
- Unique, modular, customisable design
- Standard colour: RAL7016 (anthracite)
- Rest full API available for smooth integration into your software application
- ALIOT cloud connect (optional)

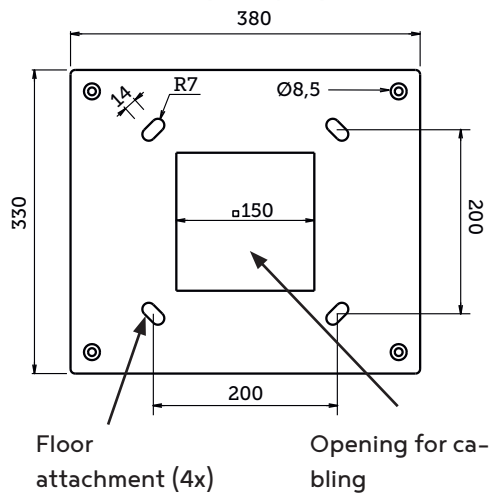


	Maximum length	2,5 m	3 m	3,5 m	4 m	4,5 m	5 m	5,5 m
<b>Drive Technology</b>	Brushless DC							
<b>Length octogonal barrier boom</b>	2,8 m	3,3 m	3,8 m	4,3 m	4,8 m	5,3 m	5,8 m	
<b>Passage width</b>	2,5 m	3 m	3,5 m	4 m	4,5 m	5 m	5,5 m	
<b>Opening and closing time (sec) 0° -&gt; 90° (sec):</b>	1,5	Between 2,5 - 4,0						
<b>Opening and closing time (sec) 0° -&gt; 80° (sec):</b>								
<b>Duty cycle</b>	100%							
<b>Dimensions housing - W x D x H</b>	380 x 330 x 1200 mm							
<b>Position barrier boom</b>	Left hand or right hand version							
<b>Dimensions barrier boom - W x D x L</b>	100 x 55 x lenght (mm)							
<b>Temperature range</b>	-25°C until +55°C							
<b>Relative humidity</b>	Max. 95% non-condensing							
<b>Degree of protection</b>	IP 54							
<b>Current Voltage (V)</b>	220 - 240 VAC, 50 / 60Hz							
<b>Power consumption (W) - Standby / Peak</b>	Max. 25W							
<b>Weight (excl. barrier arm), approx</b>	70 kg							
<b>Weight octogonal barrier boom, approx.</b>	3,9 kg	4,7 kg	5,5 kg	6,3 kg	7,1 kg	7,9 kg	8,7 kg	
<b>MCBF</b>	Minimum 5.000.000 cycles							
<b>Flashes</b>	Adjustable							
<b>Wind load in open position</b>	Max. 133 km/h							
<b>Angular profiles</b>	Natural anodized aluminum							
<b>Side panels, base plate and roof</b>	Powder coated aluminum - RAL7016							
<b>Number of digital inputs / configurable</b>	8 (Optically separated) / 4							
<b>Number of digital outputs / configurable</b>	8 / 4							
<b>Adjustable opening / closing speed</b>	Standard							
<b>Ethernet module</b>	Standard							
<b>Obstacle detection during closing</b>	Standard							
<b>Warranty</b>	2 years							

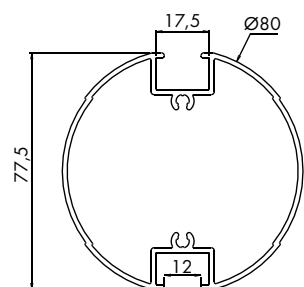
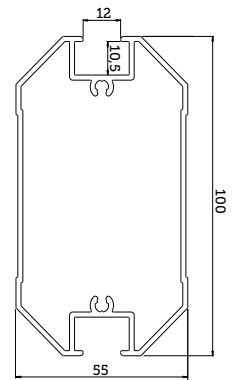
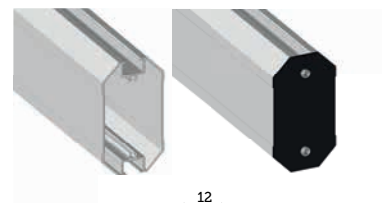




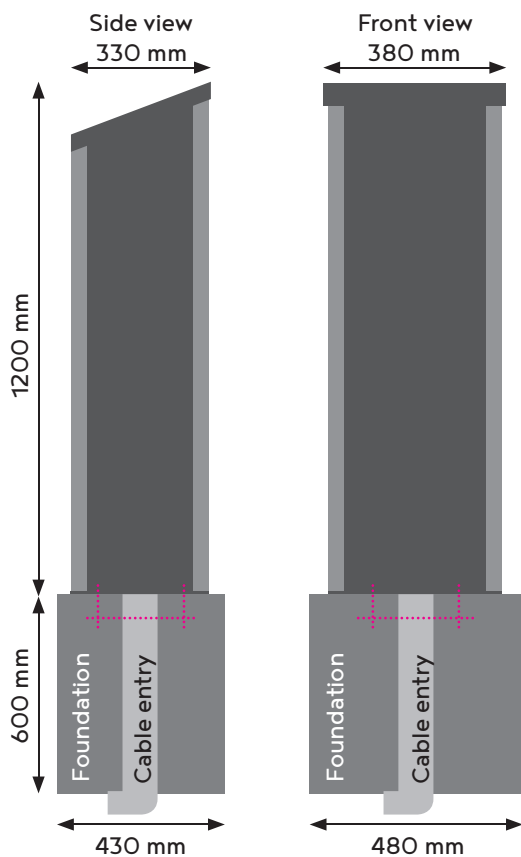
**Dimensions base plate (mm)**



**Profile barrier boom (mm)**



**Dimensions foundation**



### Automatic error reporting

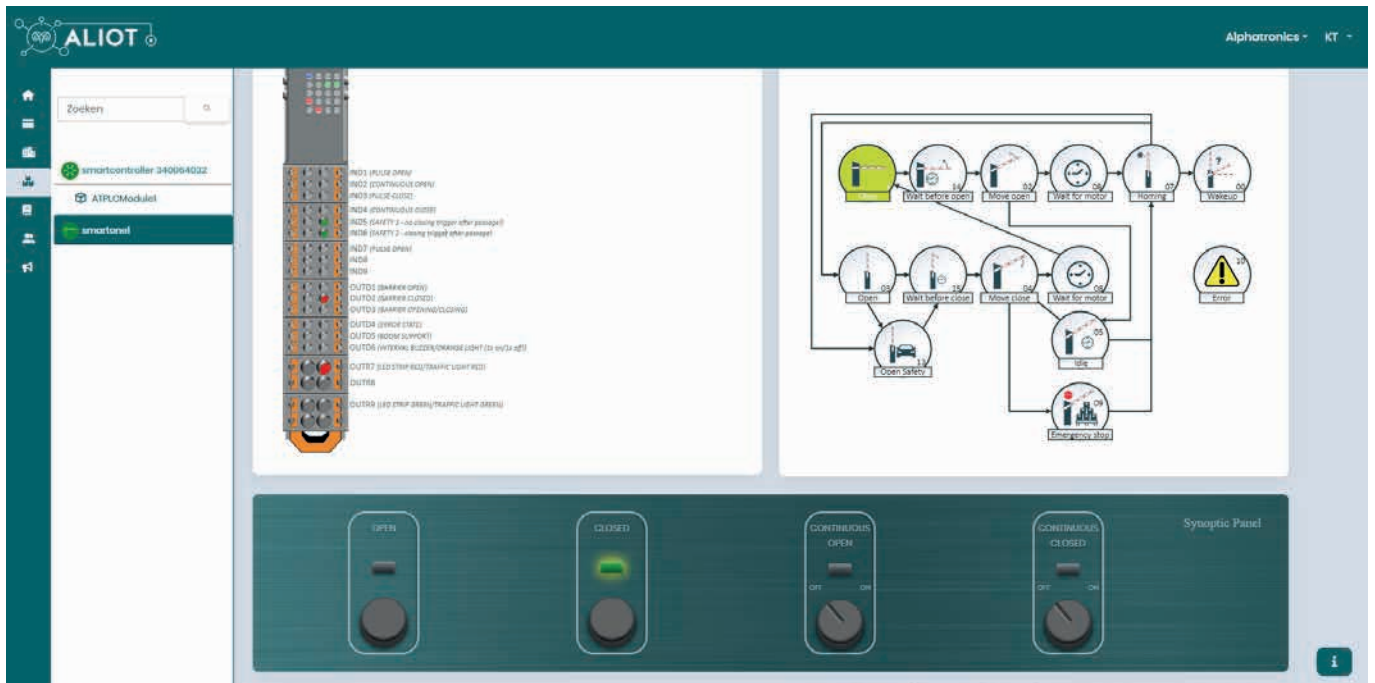
- Errors can be automatically sent via e-mail
- Error description available in Aliot Cloud
- Log of problem reports

### Remote control

- Configuration viewable and modifiable
- Real-time status monitoring
- Opening and closing of the barrier possible via Aliot Cloud
- Remote software update
- Remote reboot of the barrier controller

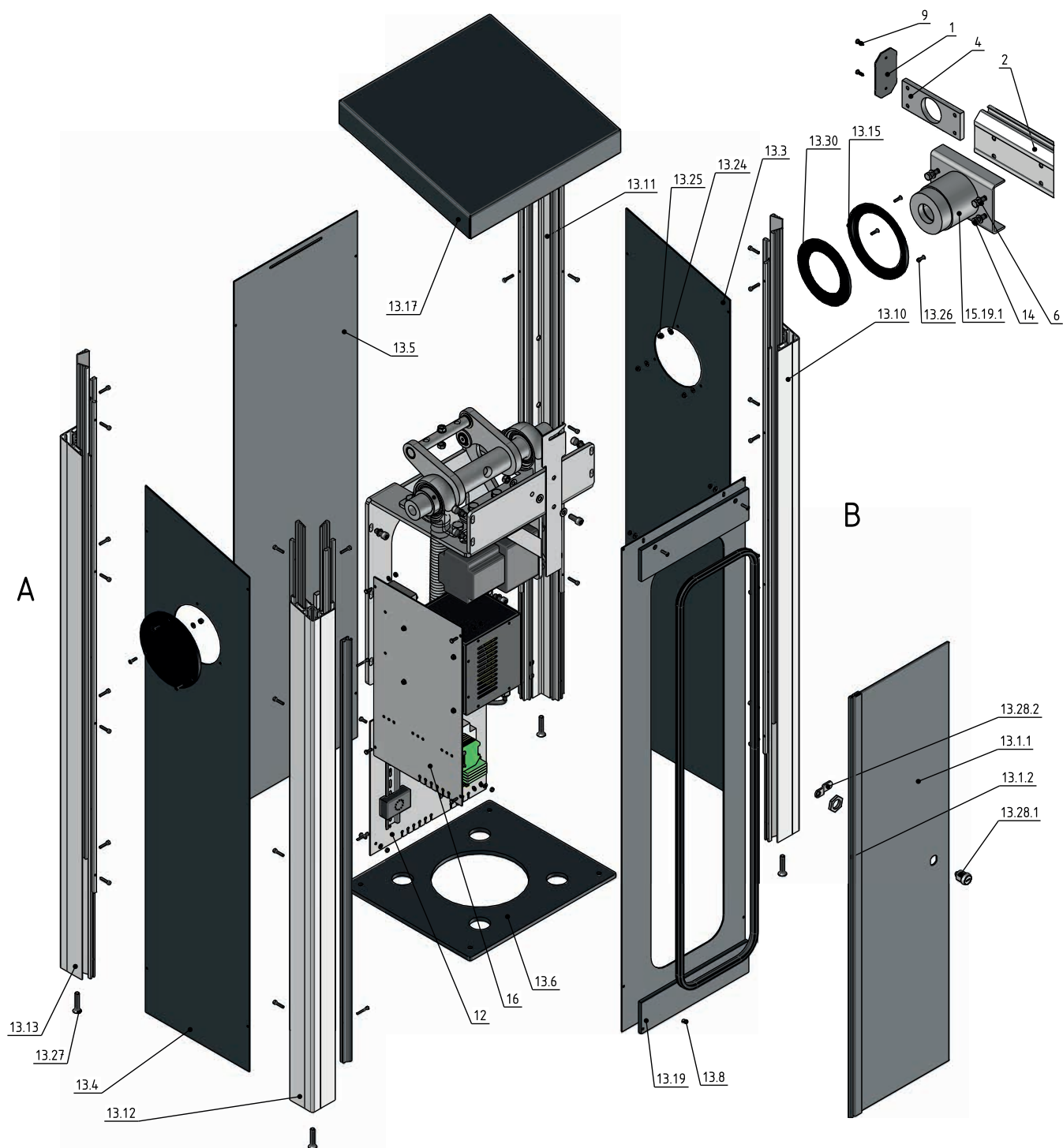
### General properties

- Overview of all your barriers on a map
- Accessible user interface
- Usable for the installer and the end user



Passage width	2,5 m	3 m	3,5 m	4 m	4,5 m	5 m	5,5 m
Folding bottem skirt	YES	YES	YES	YES	NO	NO	NO
Protection rubber	YES	YES	YES	YES	YES	YES	YES
RGB Ledstrip signalization	YES	YES	YES	YES	YES	YES	YES
Pendulum support	YES	YES	YES	YES	YES	YES	YES
Barrier boom support	YES	YES	YES	YES	YES	YES	YES
Barrier boom support with electromagnet	YES	YES	YES	YES	YES	YES	YES
Click-out system barrier boom	YES	YES	YES	NO	NO	NO	NO
Protection rubber at the bottom	YES	YES	YES	YES	YES	YES	YES
+ Pendulum support							
Protection rubber at the bottom	YES	YES	YES	YES	YES	YES	YES
+ RGB Ledstrip signalization at the top							
Protection rubber	YES	YES	YES	YES	YES	YES	YES
+ RGB Ledstrip signalization at the top							
+ Pendulum support							
Folding bottem skirt	YES	YES	YES	YES	NO	NO	NO
+ Protection rubber							
Folding bottem skirt	YES	YES	YES	YES	NO	NO	NO
+ Pendulum support							
Folding bottem skirt	YES	YES	YES	YES	NO	NO	NO
+ RGB Ledstrip signalization at the top							
Folding bottem skirt	YES Max. 2 m	YES Max. 2,5 m	YES Max. 3 m	YES Max. 3,5 m	NO	NO	NO
+ Magnet							
Folding bottem skirt	YES Max. 2 m	YES Max. 2,5 m	YES Max. 3 m	YES Max. 3,5 m	NO	NO	NO
+ RGB Ledstrip signalization at the top							
+ Magnet							
Folding bottem skirt	YES Max. 2 m	YES Max. 2,5 m	YES Max. 3 m	YES Max. 3,5 m	NO	NO	NO
+ RRGB Ledstrip signalization at the top							
+ Pendulum support							

## Housing



## Engine compartment

