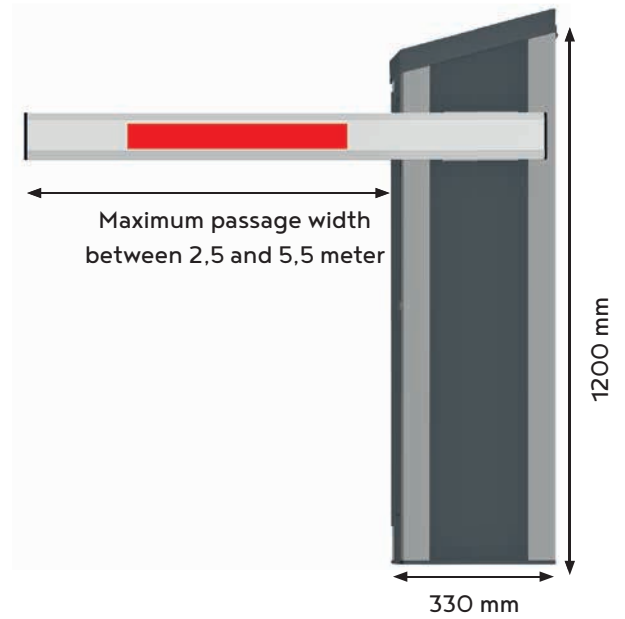


SMART-ONE

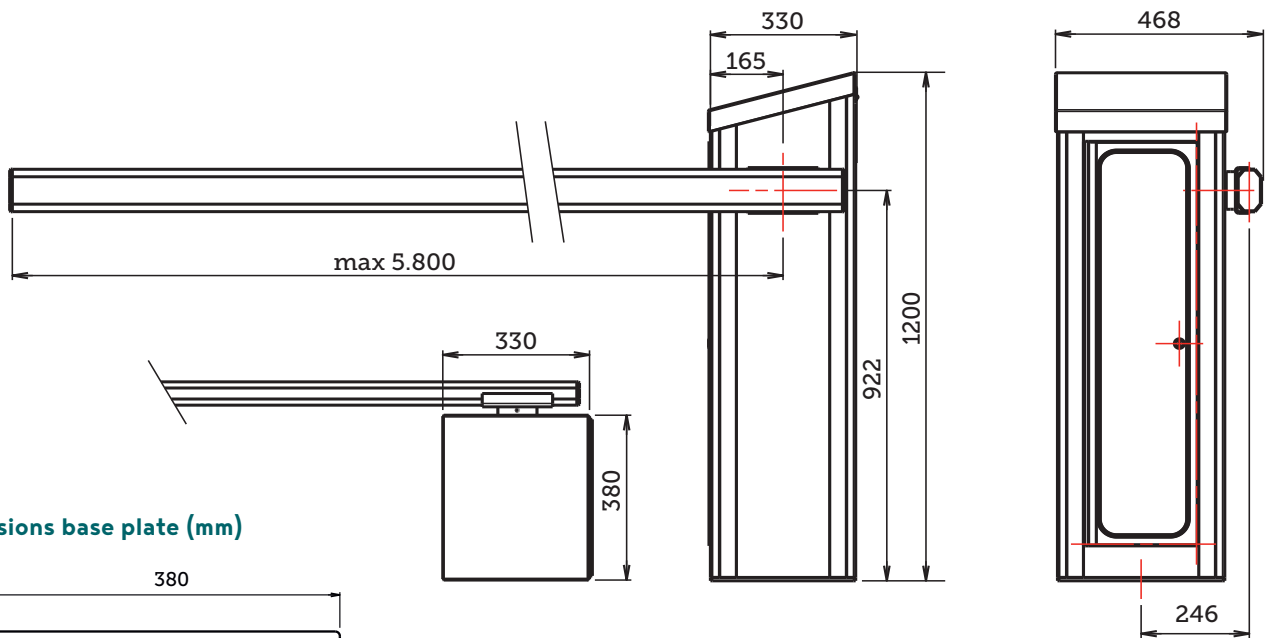
Automatic barrier of 2.8 to 5.8 meters with intelligent controller

- High performance and low maintenance
- State of the art motor technology ensures very smooth and quiet operation
- Dynamic speed sequence
- Obstacle detection
- With a focus on recyclability
- Unique, modular, customisable design
- Standard colour: RAL7016 (anthracite)

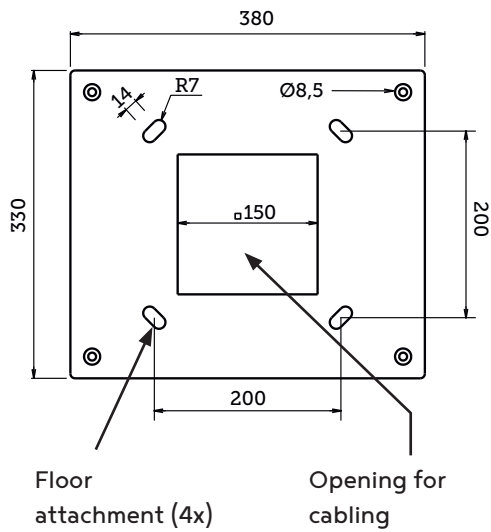


Maximum length	2,5 m	3 m	3,5 m	4 m	4,5 m	5 m	5,5 m
Drive Technology	Brushless DC						
Length octogonal barrier boom	2,8 m	3,3 m	3,8 m	4,3 m	4,8 m	5,3 m	5,8 m
Passage width	2,5 m	3 m	3,5 m	4 m	4,5 m	5 m	5,5 m
Opening and closing time (sec) 0°-> 90° (sec):	1,5	Between 2,5 - 4,0					
Opening and closing time (sec) 0°-> 80° (sec):							
Duty cycle	100%						
Dimensions housing - W x D x H	380 x 330 x 1200 mm						
Position barrier boom	Left hand or right hand version						
Dimensions barrier boom - W x D x L	100 x 55 x lenght (mm)						
Temperature range	-25°C until +55°C						
Relative humidity	Max. 95% non-condensing						
Degree of protection	IP 54						
Current Voltage (V)	220 - 240 VAC, 50 / 60Hz						
Power consumption (W) - Standby / Peak	Max. 25W						
Weight (excl. barrier arm), approx	70 kg						
Weight octogonal barrier boom, approx.	3,9 kg	4,7 kg	5,5 kg	6,3 kg	7,1 kg	7,9 kg	8,7 kg
MCBF	Minimum 5.000.000 cycles						
Flashes	Adjustable						
Wind load in open position	Max. 133 km/h						
Angular profiles	Natural anodized aluminum						
Side panels, base plate and roof	Powder coated aluminum - RAL7016						
Number of digital inputs / configurable	8 (Optically separated) / 4						
Number of digital outputs / configurable	8 / 4						
Adjustable opening / closing speed	Standard						
Remote configuration - Wifi dongle	Standard / Ethernet - installation tool necessary for configuration or service of the barrier						
Ethernet module	Standard						
Obstacle detection during closing	Standard						
Warranty	2 years						

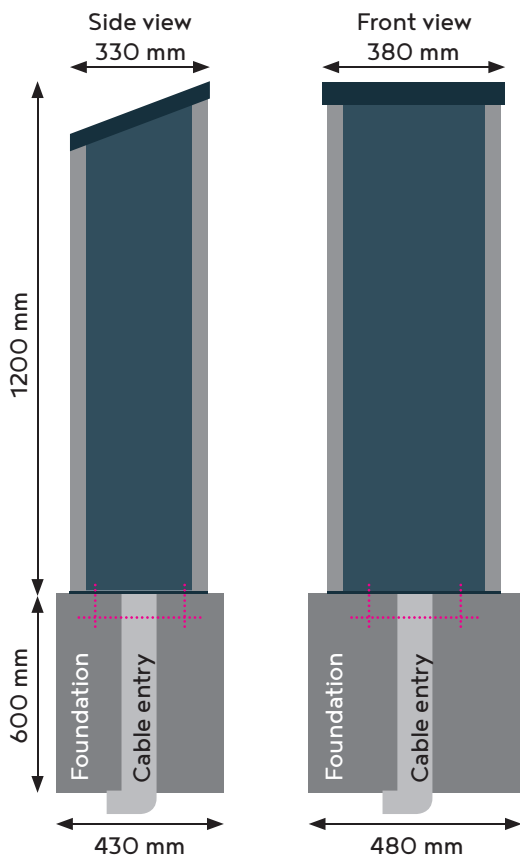




Dimensions base plate (mm)

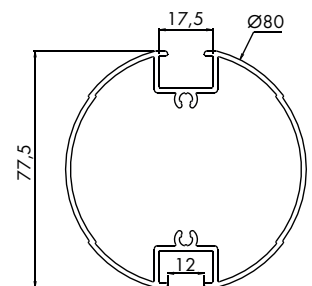
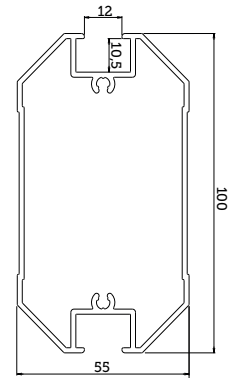
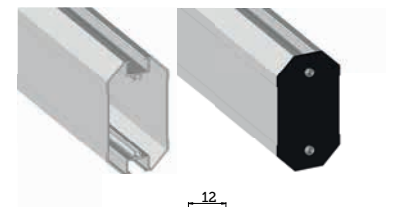


Dimensions foundation



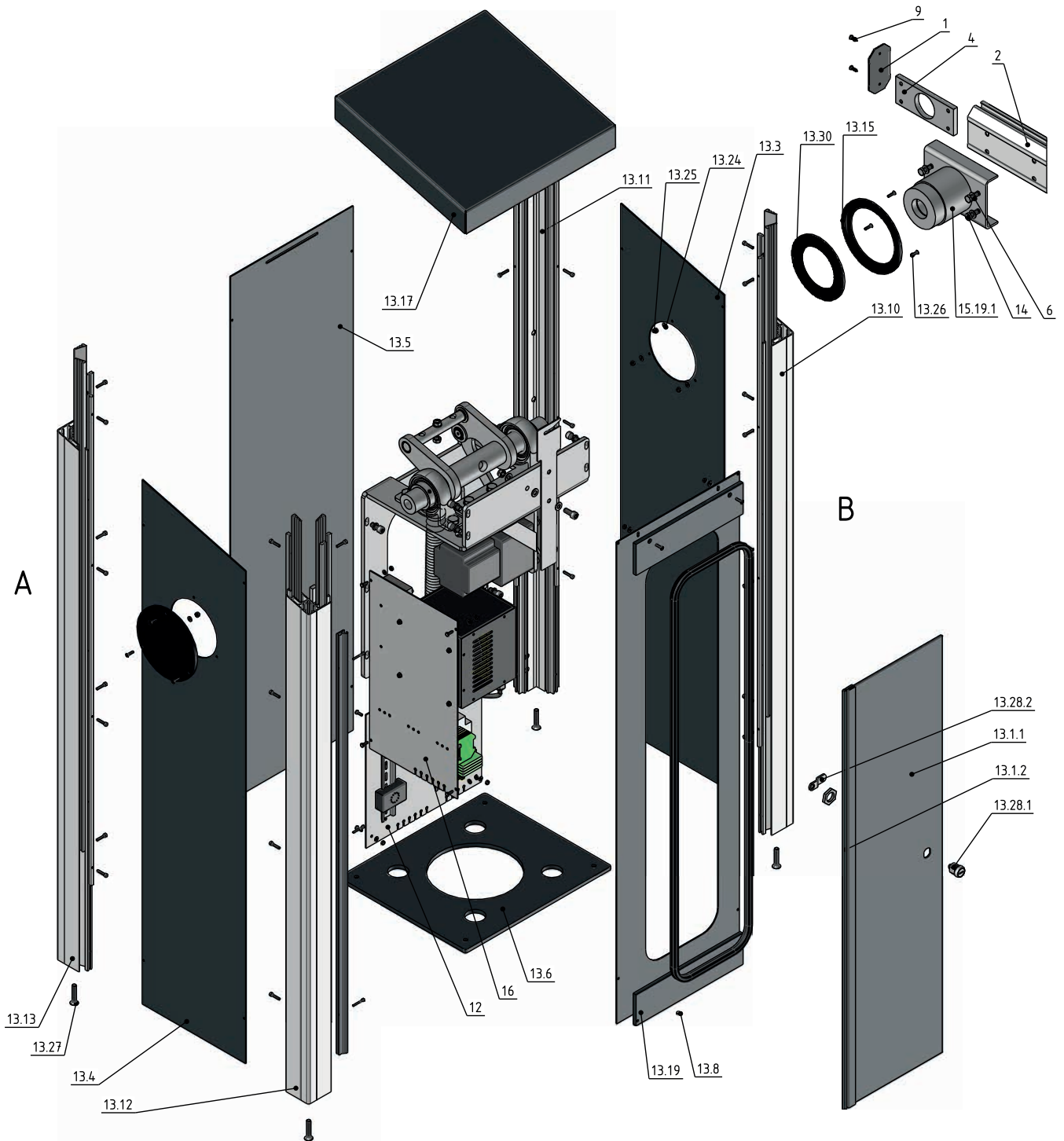
Positioning mold
center distance
200 x 200 mm

Profile barrier boom (mm)



Passage width	2,5 m	3 m	3,5 m	4 m	4,5 m	5 m	5,5 m
Folding bottem skirt	YES	YES	YES	YES	NO	NO	NO
Protection rubber	YES	YES	YES	YES	YES	YES	YES
RGB Ledstrip signalization	YES	YES	YES	YES	YES	YES	YES
Pendulum support	YES	YES	YES	YES	YES	YES	YES
Barrier boom support	YES	YES	YES	YES	YES	YES	YES
Barrier boom support with electromagnet	YES	YES	YES	YES	YES	YES	YES
Click-out system barrier boom	YES	YES	YES	NO	NO	NO	NO
Protection rubber at the bottom	YES	YES	YES	YES	YES	YES	YES
+ Pendulum support							
Protection rubber at the bottom	YES	YES	YES	YES	YES	YES	YES
+ RGB Ledstrip signalization at the top							
Protection rubber	YES	YES	YES	YES	YES	YES	YES
+ RGB Ledstrip signalization at the top							
+ Pendulum support							
Folding bottem skirt	YES	YES	YES	YES	NO	NO	NO
+ Protection rubber							
Folding bottem skirt	YES	YES	YES	YES	NO	NO	NO
+ Pendulum support							
Folding bottem skirt	YES	YES	YES	YES	NO	NO	NO
+ RGB Ledstrip signalization at the top							
Folding bottem skirt	YES Max. 2 m	YES Max. 2,5 m	YES Max. 3 m	YES Max. 3,5 m	NO	NO	NO
+ Magnet							
Folding bottem skirt	YES Max. 2 m	YES Max. 2,5 m	YES Max. 3 m	YES Max. 3,5 m	NO	NO	NO
+ RGB Ledstrip signalization at the top							
+ Magnet							
Folding bottem skirt	YES Max. 2 m	YES Max. 2,5 m	YES Max. 3 m	YES Max. 3,5 m	NO	NO	NO
+ RRGB Ledstrip signalization at the top							
+ Pendulum support							

Housing



Engine compartment

