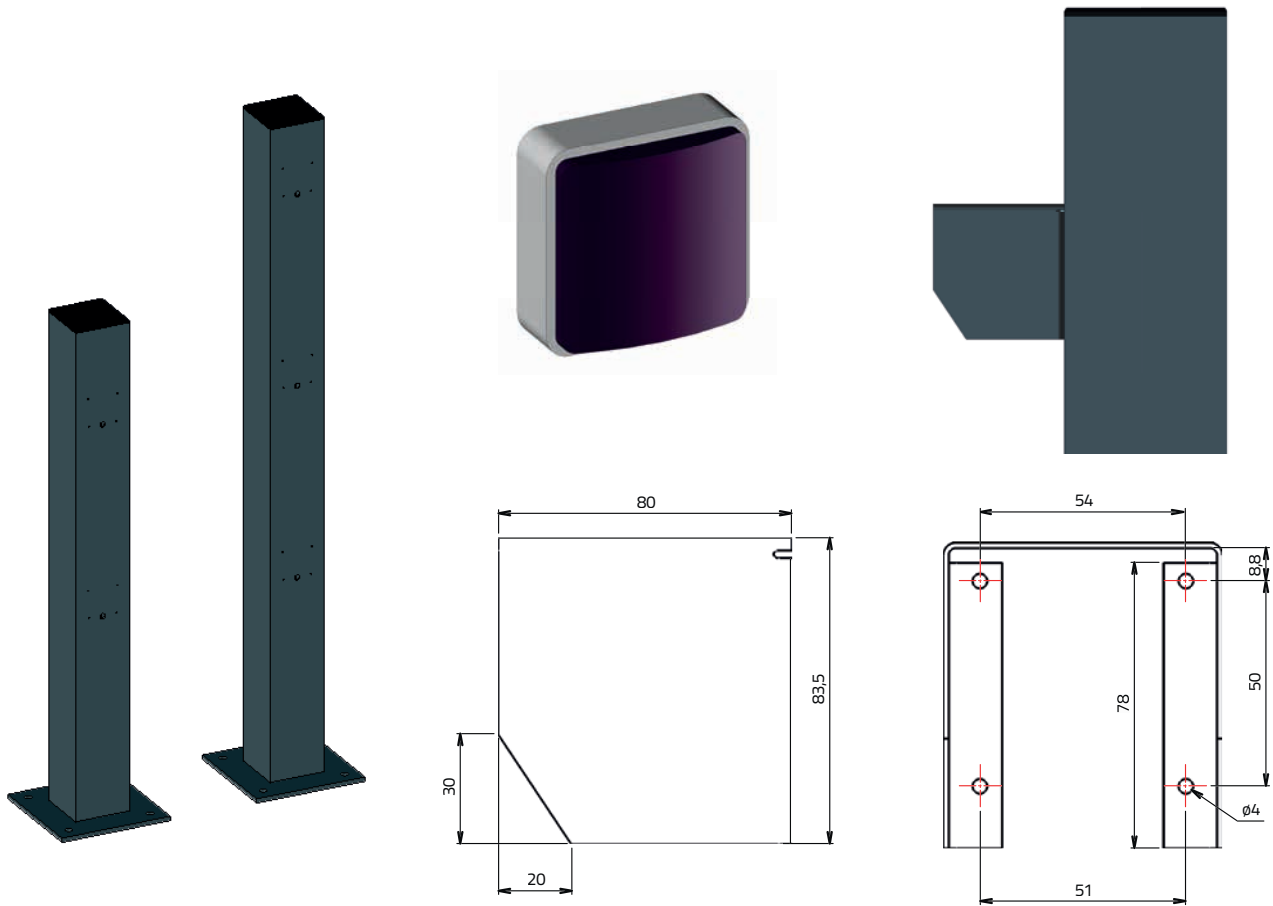


# BARRIER OPTIONS

## Vehicle detection · Photocell security

### Set of 2 surface-mounted photocells

- Polycarbonate body, extremely strong
- Adapter bowl EKA03 to simplify useful preparations for recessed mounting
- Compatible with the most popular standards on the market to replace the old photocells or cover annoying existing setups without the need of extra adaptors
- D type device according to specification EN12453 which allows to pick-up obstacles on the optical axis between transmitter (TX) and receiver (RX)



Technical specifications	
<b>Estimated range</b>	15 m (30 m with jumper + "10" cut)
<b>Power supply</b>	Without jumper 24Vac/Vdc limits: 18–35Vdc, 15–28Vac With 12Vac/Vdc jumper limits: 10–18Vdc, 9–15Vac
<b>Photocell adjustability</b>	30° approx. on the all axes
<b>Absorption</b>	25mA RX, 30mA TX
<b>Protection class</b>	IP44
<b>Operating temperature</b>	–20°C upto +50°C
<b>Relay range</b>	Max 500mA and 48V
<b>Dimension W x D x H</b>	70 x 35 x 70 mm
<b>Weight</b>	180 g
<b>Warranty</b>	1 year
<b>Photocell</b>	4-050505-0008-000
<b>Rain protection cap</b>	1-079900-0004-000-906-10

