

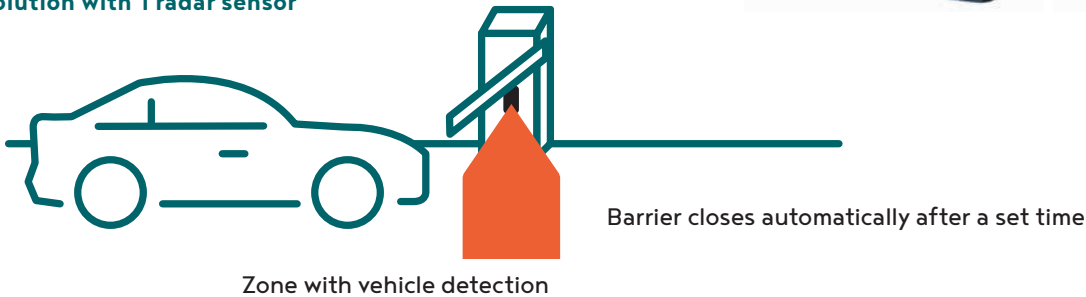
RADAR SENSOR

79GHz radar sensor for vehicle and person detection

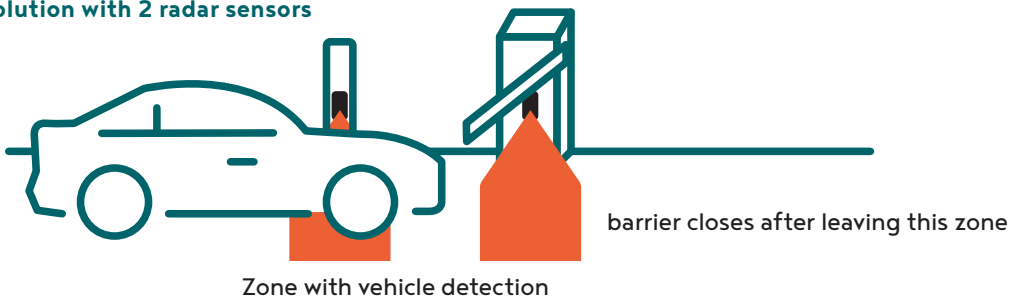
- The radar replaces the safety loop when the barrier is open.
- When secured, the radar detects cars and/or persons
- Parameterization from an Android or ios GSM phone by Bluetooth connection
- Applicable in all weather conditions



Solution with 1 radar sensor



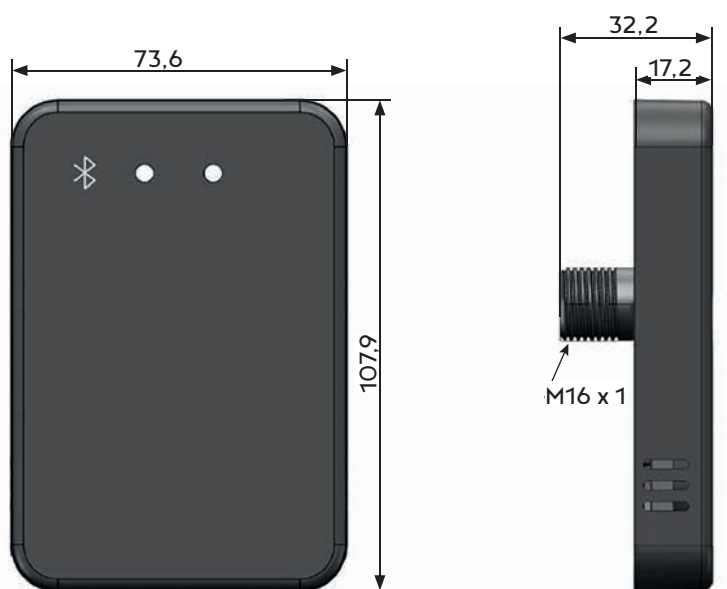
Solution with 2 radar sensors



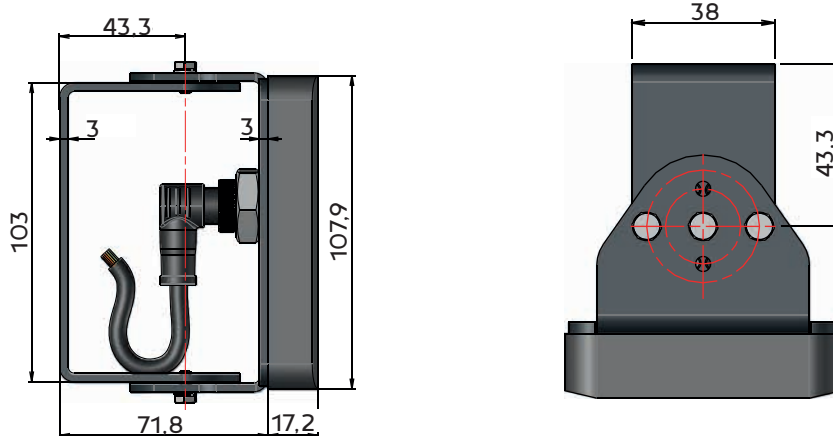
| Technical specifications | |
|-----------------------------|--|
| Cable length | 1 metre (optional 5 or 10 metres) |
| Detection distance | from 1 to 6 metres |
| Detection width | from 0.5 to 1.5 metres - right and left |
| Detection speed | maximum 30 km/u |
| LED indication | Green LED: detection - Red LED: power supply |
| Interface | Bluetooth |
| Protection class of housing | IP65 |
| Operating temperature | -40°C / 85°C |
| Output | 2 solid-state relay outputs NO-NC |
| Supply voltage | 10 / 24Vdc (recommended voltage 12Vdc), 0.2A |
| Power usage | < 2,5W |
| Operating frequency | 79Ghz |
| Dimensions | 73,2 x 107,5 x 18 mm |
| Weight | 140g |
| Certification | CE |
| Warranty | 2 year |
| Article number | 4-050503-0008-000 |



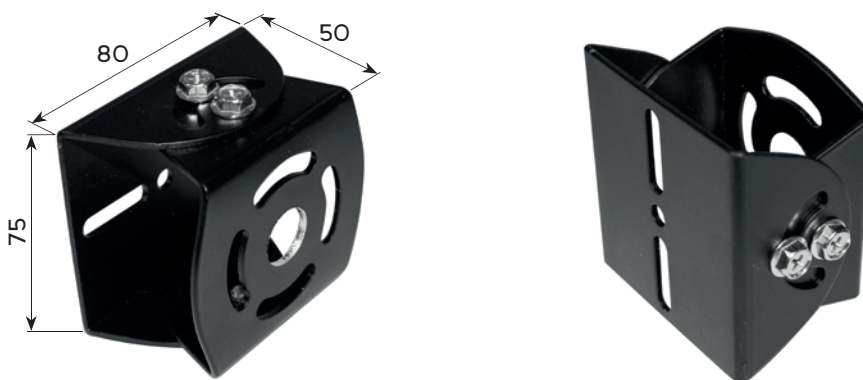
Dimensions



Mounting bracket horizontally adjustable



Mounting bracket vertically adjustable



Options

| | |
|--|--------------------------|
| 5 m cable with connector | 4-050503-0009-000 |
| 10 m cable with connector | 4-050503-0010-000 |
| Mounting bracket horizontally adjustable | 1-010100-0074-000-716-00 |
| Mounting bracket vertically adjustable | 4-050503-0011-000 |

Important

Installation must be carried out as described in the user manual.

The radar is a CE-approved sensor but is not a safety sensor - presence detection/monitoring sensor