

# TRAFFIC LIGHTS

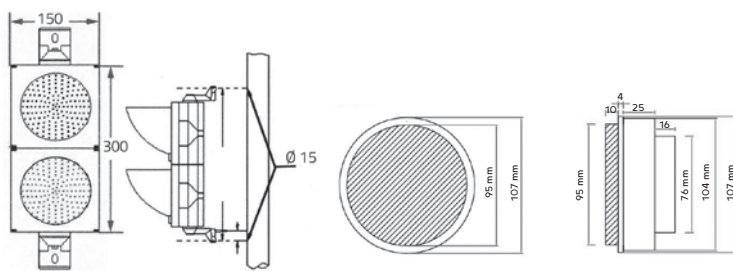
## LED TRAFFIC LIGHTS 100 mm



4-080308-0064-000



4-080308-0024-000



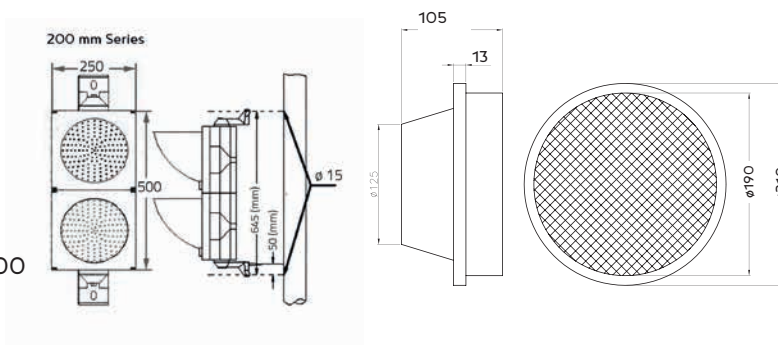
## LED TRAFFIC LIGHTS 200 mm



4-080308-0067-000



4-080308-0042-000



4-080308-0045-000

Technical specifications	100 mm	200 mm
Shape	100 mm cobweb cover	200 mm cobweb cover
Led's	High brightness LEDs with integrated optics	
Protection level	IP65	
Total harmonic distortion	< 20%	
Operating temperature	-40°C until +70°C	
Angle	Avg. $\geq 60^\circ$ Down $\geq 60^\circ$	
Insulation Resistance	$\geq 2$ m	
MTBF	+100.000 hours	
Housing material	PVC	
Warranty	2 years	

Color	Size (mm)	Article number	Profile	Voltage	Leds	Typical wattage at 25°C	Luminance CD/m <sup>2</sup>	Dominant Wave Length (nm)
	100	4-080308-0065-000	round	24Vdc	37s	< 3	> 100	625 $\pm$ 5
	100	4-080308-0066-000	round	24Vdc	37s	< 3	> 100	505 $\pm$ 2
	200	4-080308-0068-000	round	24Vdc	61s	< 6	> 400	625 $\pm$ 5
	200	4-080308-0069-000	round	24Vdc	61s	< 6	> 400	505 $\pm$ 2
	200	4-080308-0050-000	round	24Vdc	61s	< 6	> 400	500



24-06-2025 Copyright Alpatronics

Brandstraat 8a / 9160 Lokeren - Belgium | T. +32 9 340 54 70 | www.alpatronics.be | hello@alpatronics.be | Subject to technical modifications.



**ALPHATRONICS**  
innovators in access technology