

TRAFFIC LIGHTS

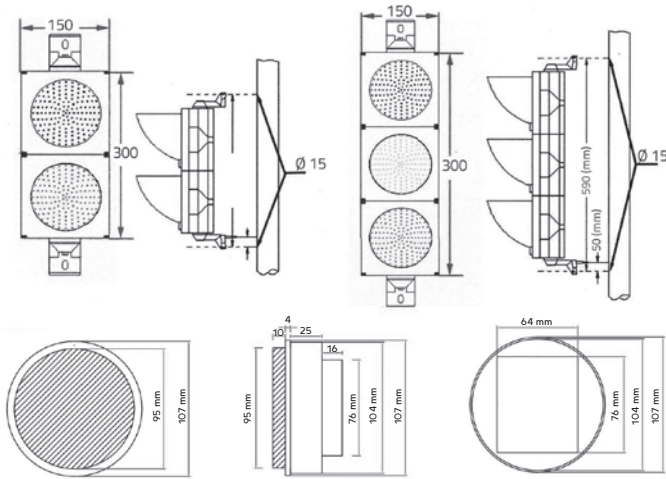
LED TRAFFIC LIGHTS 100 mm



4-080308-0031-000



4-080308-0032-000



4-080308-0028-000



4-080308-0029-000



4-080308-0030-000



4-080308-0024-000

LED TRAFFIC LIGHTS 200 mm



4-080308-0044-000



4-080308-0043-000



4-080308-0038-000



4-080308-0039-000



4-080308-0045-000



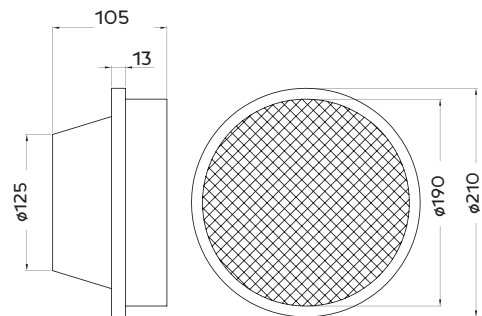
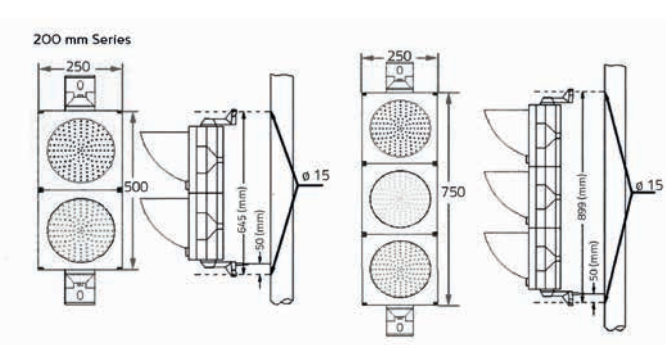
4-080308-0042-000



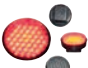







4-080308-0040-000



4-080308-0041-000



Technical specifications	100 mm	200 mm
Shape	100 mm (4") cobweb cover	200 mm (8") cobweb cover
Led's	High brightness LEDs with integrated optics	
Protection level	IP65	
Total harmonic distortion	< 20%	
Operating temperature	-43°C until +60°C	
Angle	Avg. $\geq 30^\circ$ Down $\geq 30^\circ$	
Operating voltage Range	230Vac	
Insulation Resistance	≥ 2 m	
MTBF	+100.000 hours	
Housing material	PVC	Poly Carbonate (PMMA)
Warranty	2 years	

Color	Size (mm)	Article number	Profile	Voltage	Leds	Typical wattage at 25°C	Luminance CD/m ²	Dominant Wave Length (nm)
	100	4-080308-0025-000	round	230Vac	37s	< 3	> 200	625 \pm 5
	100	4-080308-0026-000	round	230Vac	37s	< 3	> 200	590 \pm 5
	100	4-080308-0027-000	round	230Vac	37s	< 3	> 200	505 \pm 2
	200	4-080308-0033-000	round	230Vac	121s	< 7	> 400	625 \pm 5
	200	4-080308-0034-000	round	230Vac	121s	< 7	> 400	590 \pm 5
	200	4-080308-0035-000	round	230Vac	121s	< 7	> 400	505 \pm 2
	200	4-080308-0036-000	round	230Vac	36s	< 3	> 400	625
	200	4-080308-0037-000	round	230Vac	45s	< 3	> 400	500