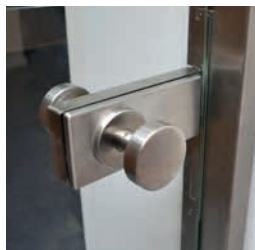


# TURNI-Q TRIPO D

Stainless steel + glass or aluminum gateway for suppliers, disabled people, ...

- The release of the gate is activated by an external push button, key switch or RFID reader.
- In the event of power failure or fire alarm, the gate will be placed loose making it easy to push open (anti-panic function).
- When you release the gateway after passage, it returns automatically back to its closed state by use of downward regulation hinges.

## Different doorknobs



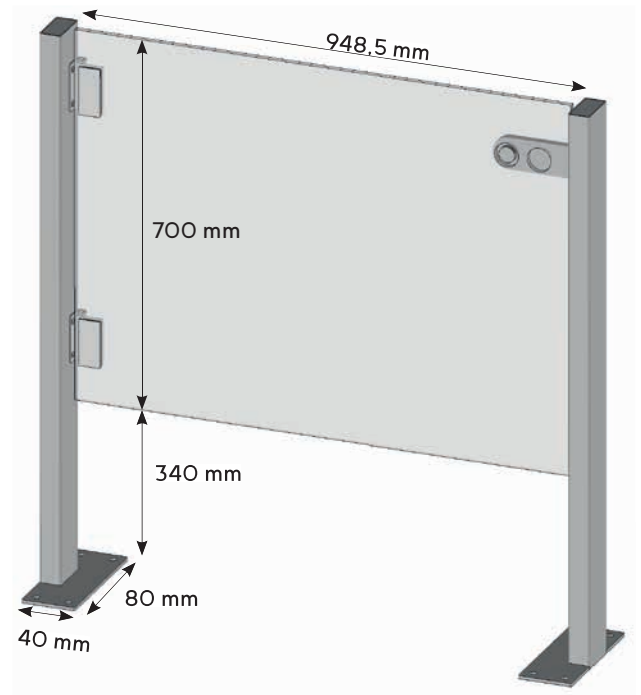
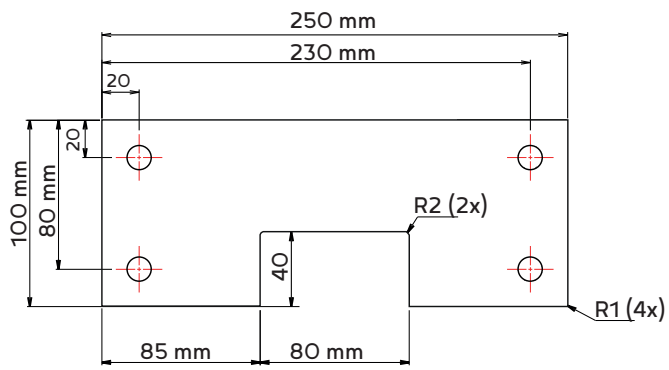
Electric lock (provide separately)	
24 VdC, 3000N, Fail safe	4-050801-0011-000
12 VcC, 3000N, Fail safe	4-050801-0010-000
12/24 VaC/VdC, 3000N, Fail secure	4-050801-0009-000

Technical specifications	
Profiles frame	Brushed brushed stainless steel 304 (optional stainless steel 316)
Panel	Glass or painted aluminum (RAL 9006)
Thickness glass gateway (mm)	8,76
Thickness aluminum gateway (mm)	8
Free passage (mm)	90
Warranty	2 years

Type of gate	Open-option	Handle	Knob	Placement	Article number
Aluminium	A		x	Concrete	1-021101-0001-000-000-00
Aluminium	A	x		Concrete	1-021101-0001-011-000-00
Aluminium	B		x	Concrete	1-021101-0001-100-000-00
Aluminium	B	x		Concrete	1-021101-0001-111-000-00
Aluminium	A		x	Base plate	1-021101-0002-000-000-00
Aluminium	A	x		Base plate	1-021101-0002-011-000-00
Aluminium	B		x	Base plate	1-021101-0002-100-000-00
Aluminium	B	x		Base plate	1-021101-0002-111-000-00
Glass	A		x	Concrete	1-021101-0003-000-000-00
Glass	A	x		Concrete	1-021101-0003-011-000-00
Glass	B		x	Concrete	1-021101-0003-100-000-00
Glass	B	x		Concrete	1-021101-0003-111-000-00
Glass	A		x	Base plate	1-021101-0004-000-000-00
Glass	A	x		Base plate	1-021101-0004-011-000-00
Glass	B		x	Base plate	1-021101-0004-100-000-00
Glass	B	x		Base plate	1-021101-0004-111-000-00



## Dimensions



Open-option A

Open-option B

