

# ITSV-1

## IP Touch Station met video



- Video-desktop-intercom die AlphaCom XE, SIP en Pulse-oplossingen ondersteunt
- Telefoonboek met maximaal 1000 contacten en oproepgeschiedenis met maximaal 1000 records
- Dual switched auto-sensing 10/100 / 1000Mbps netwerkpoorten
- Wi-Fi (802.11b/g/n), PoE+, Bluetooth, USB, SD, HDMI, EHS met ondersteuning voor Plantronics-headsets
- 4.3" (480x272) capacitive (5 points) touch screen TFT LCD
- Megapixel CMOS sensor camera met sluiters voor privacy
- HD wideband audio
- Full-duplex handenvrije speaker met geavanceerde akoestische echo-onderdrukking en uitstekende dubbel-sprekende prestaties



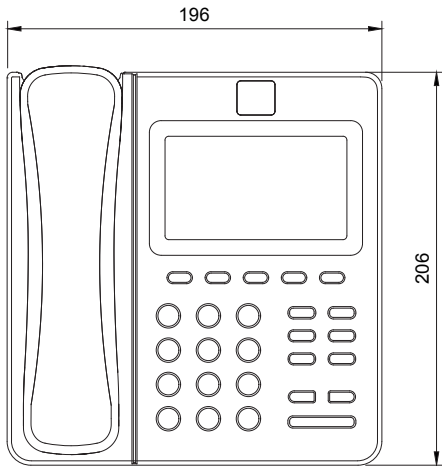
ITSV-1 represents the future in IP Intercom Services, featuring Android™ Operating System 4.2, a 4.3" (480x272) capacitive touch screen, a tiltable mega-pixel CMOS sensor, dual Gigabit network ports, integrated Wi-Fi, PoE and Bluetooth. The ITS-V1 delivers superior HD audio & video, leading edge SIP intercom features and integration with the PULSE and AlphaCom IP Intercom Platforms, developed by Zenitel. ITS-V1 redefines the desktop communication experience with a raised level of innovation and integration of state-of-art real time video conferencing, personalized rich media presentation & delivery.

### Technische specificaties

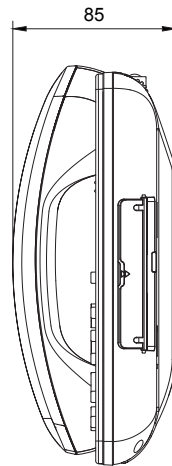
<b>Dimensions (WxLxH)</b>	196.5 x 206.2 x 85.2 mm
<b>Weight</b>	0.92kg
<b>Graphic Display</b>	4.3" (480x272) capacitive (5 points) touch screen TFT LC
<b>Camera</b>	Tiltable mega pixel CMOS camera with privacy shutter
<b>Video Codec</b>	H.264, supports display of MJPEG streams
<b>Video resolution</b>	Up to 720p
<b>Video frame rate</b>	Up to 30 fps
<b>Operating temperature range</b>	0 °C to +40 °C
<b>Storage temperature range</b>	-10 °C to +60 °C
<b>Relative humidity</b>	10% - 90% non-condensing
<b>Power options</b>	Power over Ethernet (PoE) or power adapter.
<b>Power over Ethernet</b>	IEEE 802.3at, Class 4, Idle 3.8W, max. 9.7W
<b>Power adapter</b>	12VDC, 1.5A, Idle 2.2W, max 7.6W
<b>Network Interface</b>	2 x RJ45 (Ethernet) 10/100/1000 Mbps with integrated PoE
<b>Bluetooth</b>	Integrated, Bluetooth 4.0 + EDR
<b>Wi-Fi</b>	Integrated, 802.11 b/g/n
<b>Security</b>	MD5 and MD5-sess authentication, 256-bit AES encryption, TLS, SRTP, HTTPS, 802.1x media access control
<b>SIP</b>	RFC 3261, SIP Info (DTMF), RFC 2833 (DTMF)
<b>IP protocols</b>	IPv4 - IPv6 - TCP - UDP - HTTPS - TFTP - RTP - RTCP - DHCP - SIP
<b>Audio technology</b>	Wideband 200 Hz - 7 kHz (G.722), Telephony 3.4kHz (G.711), Narrowband (G.729)
<b>Compliance</b>	CE and FCC Part 15
<b>Artikelnummer</b>	6-031202-0012-000

► **AFMETINGEN**

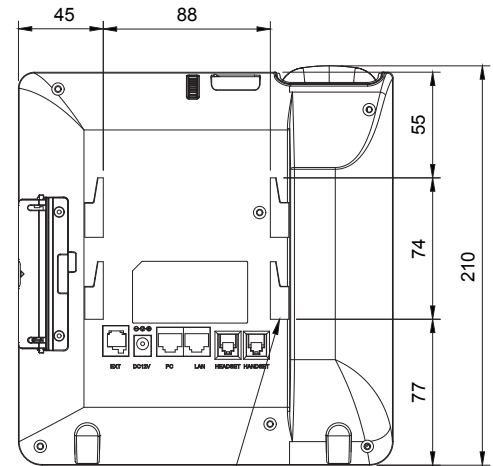
VOORAANZICHT



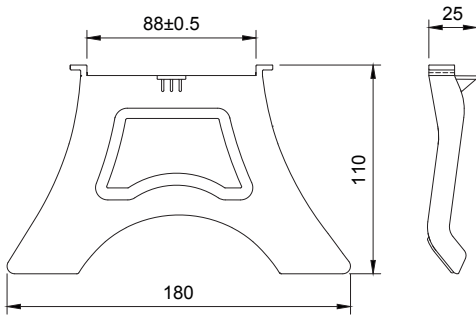
RECHTERAANZICHT



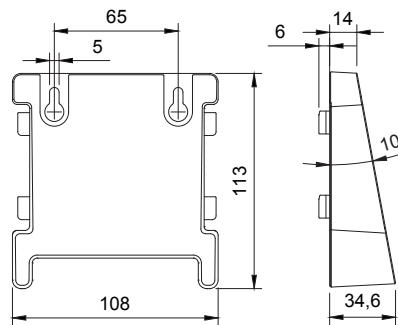
ACHTERAANZICHT



TELEFOONHOUDER



MUURBEUGEL



gleuven voor de muurbevestiging en telefoonhouder